

**120
NORTH
SIXTH
STREET
WILL
IAMS
BURG**



120 NORTH SIXTH STREET

Tenant

LE LABO®
GRASSE - NEW YORK

Opening

2016

Size

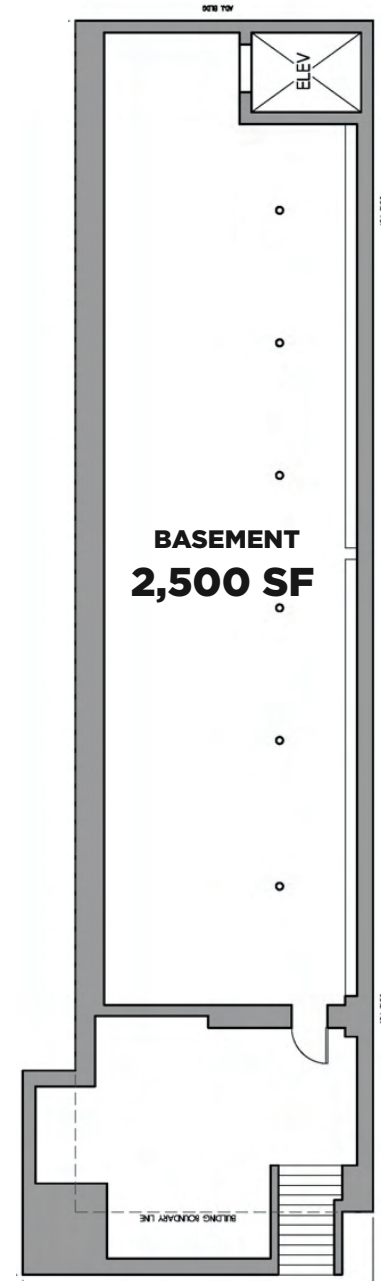
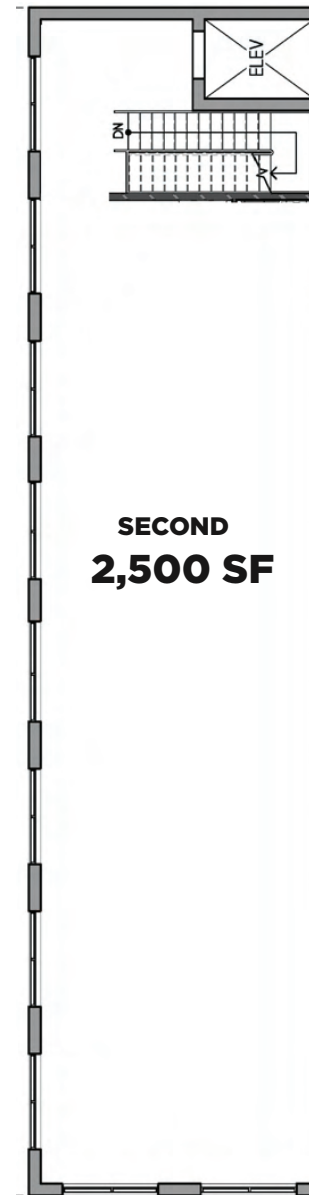
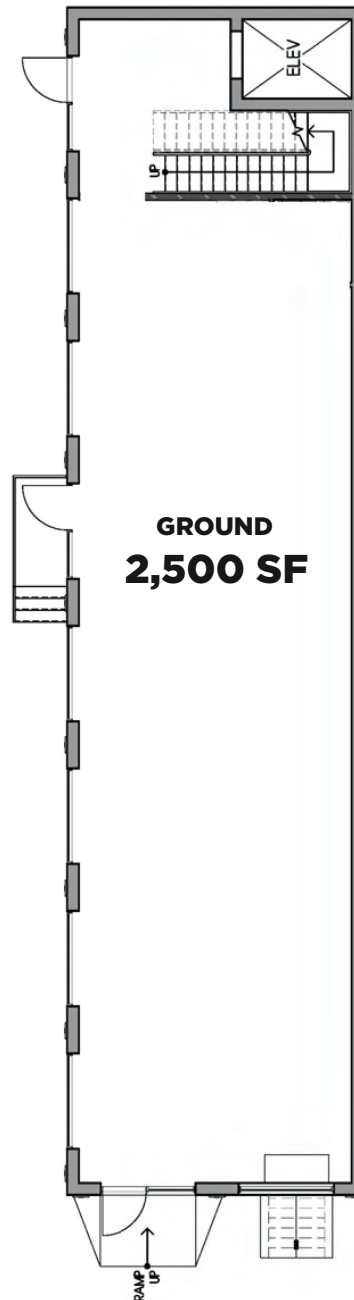
GROUND 2,500 SF

SECOND 2,500 SF

BASEMENT 2,500 SF

Frontage

125 FT. WRAPAROUND



N. 6TH STREET



THE
WILLIAMSBURG
COLLECTION

JOE MASTROMONACO

212.687.2400

jmastromonaco@dartco.com

EVAN CLEMENTS

212.687.2431

eclements@dartco.com

270 LAFAYETTE STREET | SUITE 806

New York, New York 10012

212.687.2400

www.dartco.com

